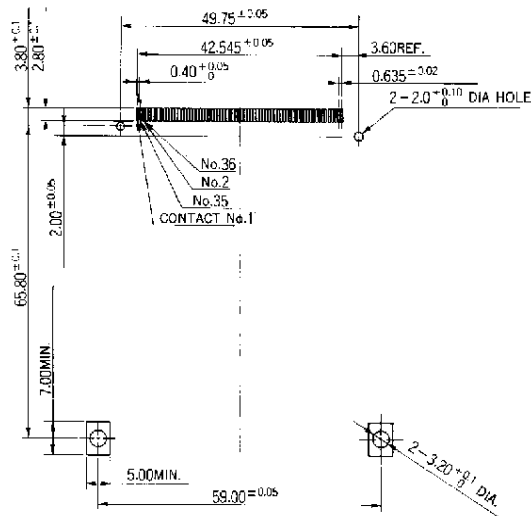
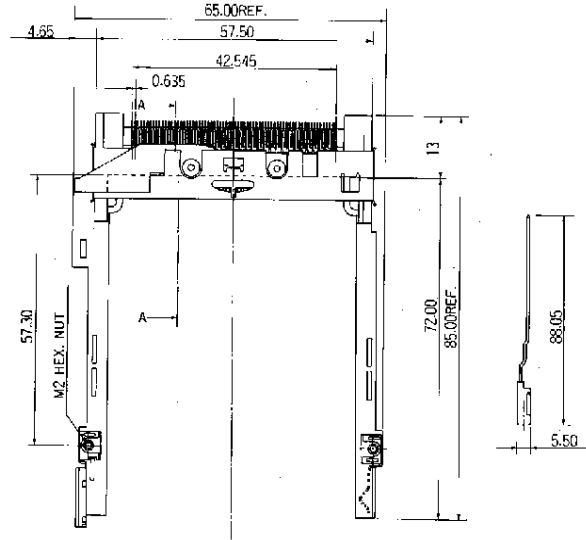
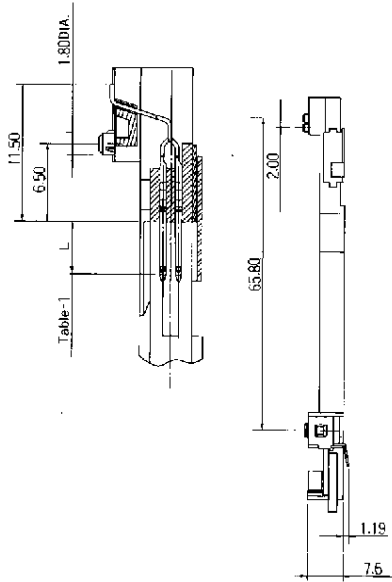


MCD series



•SMT type, 2.2mm stand-off
 P/N: MCD-EJ768PZ-53NAABA
 Type I, II and III cards

unit:mm



PCB mounting dimensions

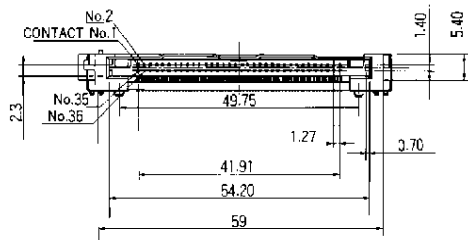


TABLE-1 Contact Length

Contact Position	L
No.1,17,34,35,51,68	5
No.36,37	3.5
others	4.25

•Specifications and/or dimensions in this catalogue are subject to change without notice. MCD-E-01 1999.12.20